

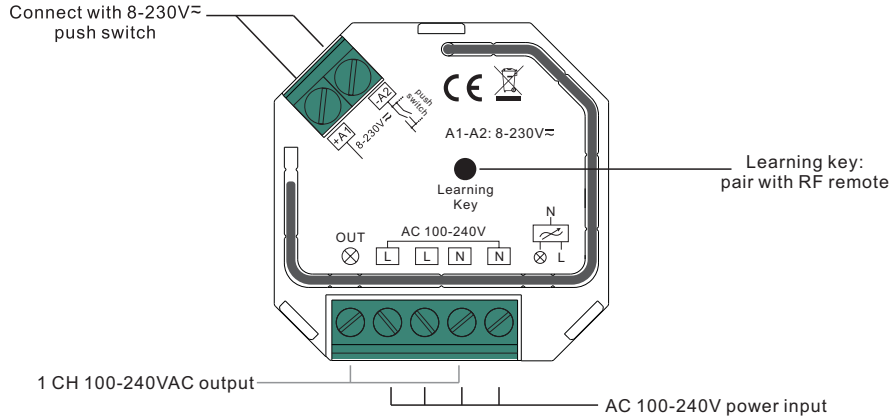
AC Phase Cut RF + Push Switch

09.09SAPS.04734



Important: Read All Instructions Prior to Installation

Function introduction



- 100-240VAC Wide Input and Output Voltage
- 1 Channel Output, Up to 400W
- Input and Output with Screw Terminals, Safe and Reliable
- Great Compatibility with Universal 8V-230V~ Input Push Switches
- Great compatibility with a variety of Perfect RF series single color remote controls
- To switch single color LED lamps
- Mini Size, Easy to be Installed into a standard 86*86mm wall box

Safety & Warnings

- DO NOT install with power applied to device.
- DO NOT expose the device to moisture.

Pair/delete the pairing with RF remote

1. Do wiring according to connection diagram.
2. Pair RF Receiver with RF remote: please refer to the instruction of the remote that you would like to pair with.
3. Delete the pairing:
 - (1) Wire up the RF receiver correctly, power on.
 - (2) Press and hold down the “**Learning Key**” button on receiver for over 3 seconds until the connected light flashes, which means well deleted.

PUSH Switch:

When connected to Push Switch, click push switch to turn ON/OFF light.

Product Data

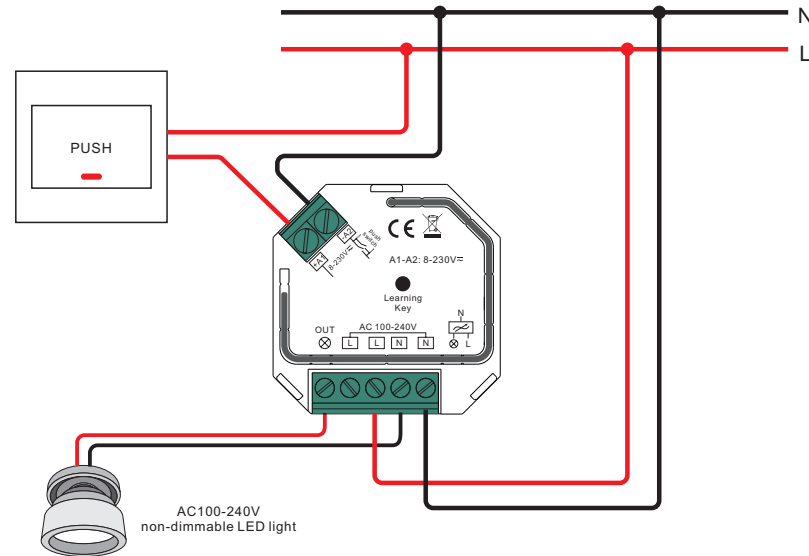
Input Voltage	Output Voltage	Output Current	Size(LxWxH)
100-240VAC	100-240VAC	1.5A max	45.5x45x20.3mm

- Radio Frequency : 868/869.5/916.5/434mhz
- Waterproof grade: IP20

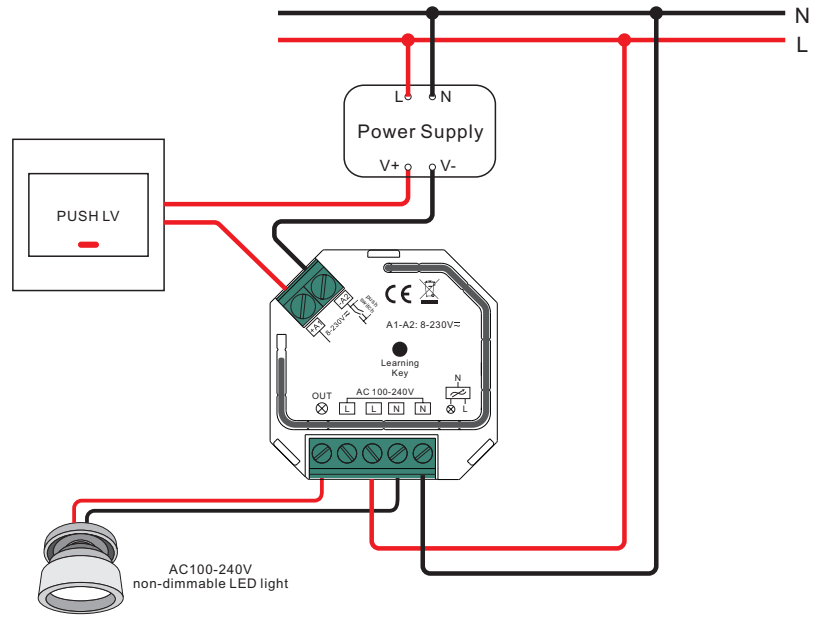
Compatible Load Types			
Load Symbol	Load Type	Maximum Load	Remarks
	LED lamps	200W @ 220V 100W @ 110V	Due to variety of LED lamp designs, maximum number of LED lamps is further dependent on power factor result when connected to dimmer.
	LED drivers	200W @ 220V 100W @ 110V	Maximum permitted number of drivers is 200W divided by driver nameplate power rating.
	Incandescent lighting, HV Halogen lamps	400W @ 220V 200W @ 110V	
	Low voltage halogen lighting with electronic transformers	200W @ 220V 100W @ 110V	

Wiring diagram

(1) With AC push dimmer



(2)With Push LV



Product Dimension

