

SPECIFICATION

| | |
|---|---|
| Description | 220-240V TRIAC Dimming LED Driver, Constant Voltage Driver |
| Electrical Characteristics | Ta = 25°C, 220-240Vrms input, standard reference load; unless otherwise specified |
| Class II, IP20, thermally protected 110, independent driver | |

| | | |
|---------------------|--|---------|
| Product Name | | 3254621 |
|---------------------|--|---------|

| Input Parameters | | |
|---------------------------|-----------------|------------------------|
| Rated Input Voltage | U _{in} | 220-240VAC |
| Input Current (Full load) | I _{in} | 0.31A |
| Input Frequency | f _{in} | 50/60Hz |
| Maximum Input Power | P _{in} | 58.0W |
| Power Factor (Full load) | λ | ≥0.95 |
| THD(Full load) | | ≤20% |
| Efficiency (Full load) | η | ≥86% |
| No-load power | | ≤1.0W |
| Inrush current(Max) | | 5.0A&500us(Cold start) |
| Turn on time | | ≤500ms |

| Output Parameters | | |
|--------------------------------|------------------|-----------|
| Output Voltage | V _{out} | 24V ±5% |
| Output Current (Full load) | I _{out} | 2.08A |
| Output Power (Full load) | P _{out} | 50W |
| Operating Frequency(Full load) | F _{out} | 60KHz |
| Dimming Range | | 1-100% |
| Ripple & Noise (Max) | | 2000mVp-p |
| Load Regulation | | ±3% |
| Line Regulation | | ±3% |

| Ambient | | |
|-------------------------------|----------------|----------------|
| Storage Temperature | t _s | -20 ... + 70°C |
| Operating Ambient Temperature | t _a | -20 ... + 50°C |
| Case Temperature at tc Point | t _c | 80°C |
| Relative humidity | | 5 ...85% |

| Protection | | |
|-------------------|--|-----------------------------------|
| No Load | | Auto-recovery if fault is removed |
| Over Load | | Auto-recovery if fault is removed |
| Short Circuit | | Auto-recovery if fault is removed |

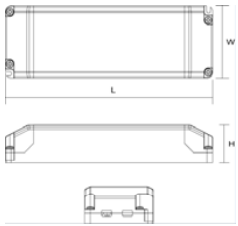
| System Parameters | | |
|--------------------------|--|-----------------------------|
| Withstand voltage | | 3.75KVAC,Ileakage<5.0mA,60S |
| Expected Life | | 50,000Hours |

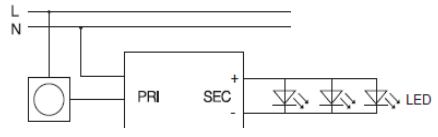
| Compliances and approvals | | |
|----------------------------------|--|----------------------|
| Safety | | EN 61347-2-13 |
| RFI | | EN 55015 |
| Harmonics | | EN 61000-3-2 Class C |
| Immunity | | EN 61547 |

Note

- All parameters NOT specially mentioned are measured at 240VAC input, rated load and 25 of ambient temperature.
- Ripple & noise are measured at 20MHz of bandwidth by using a 12" twisted pair-wire terminated with a 0.1uF & 47uF parallel capacitor.
- Expected Life:t_c=80°C,0.2%/1000h failure rate

Physical Parameter





Dimensions(LxWxH):166x52x24mm
Housing Material:PC Plastic
Captured Terminal Screw for 0.75~2.5mm²